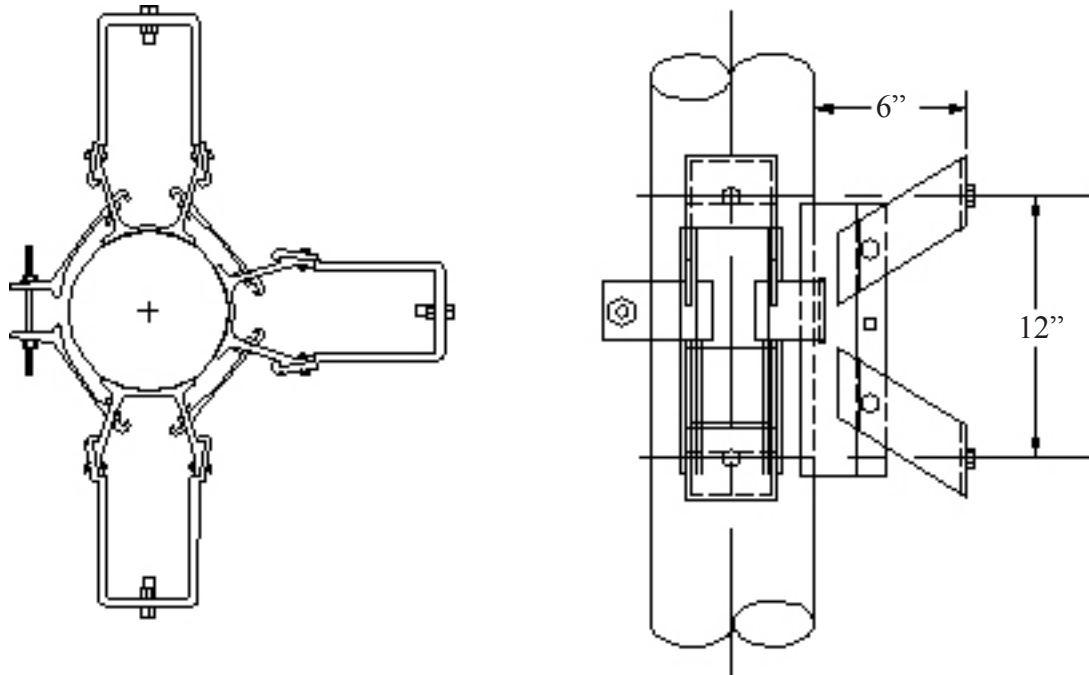


BANDED TRANSFORMER CLUSTER MOUNTS

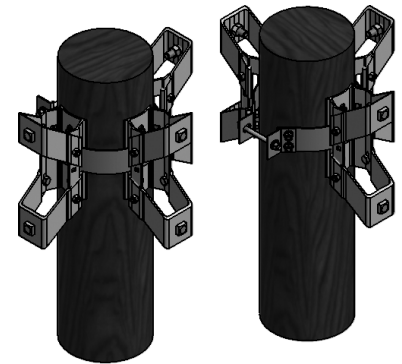
Mounts 3KVA thru 50 KVA Transformers



Catalog Number	Description
BMAC-366	Mounts three transformers 6" from pole
BMAC-264	Mounts two transformers 6" from pole.
BMAC-162	Mounts one transformer 6" from pole.

Pole Diameter Standard Range: 7 3/4" - 12 1/4".

- Made with high strength extruded 6061-T6 aluminum alloy.
- With ground wire clamp (supplied standard).
- Ultimate load 6,000# total 2,000# per position.
- 12" NEMA transformer spacing.
- EE1-NEMA type A lugs.
- Completely assembled with hardware.
- A- Bolt pack included (standard).
 - For B-pack add "B" to end of catalog number.
 - For C-pack add "C", for AB-pack add "AB".
 - Add suffix "-5" for optional extension plate and hardware to increase pole diameter range up to 5".
- Extension kit available by adding "-5 to BMAC XXXX"

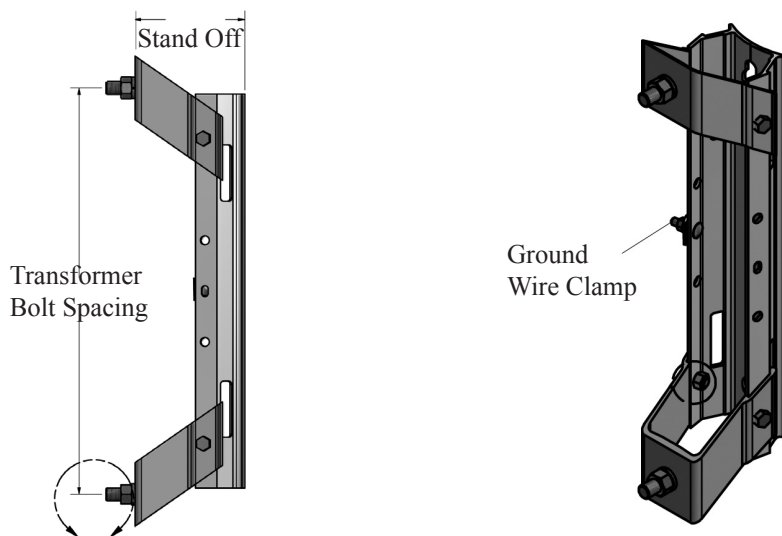


Test Data

Pounds	Measurement	Deflection
0	6 5/8"	0
500	6 3/4"	0.125
1000	6 7/8"	0.250
1500	7"	0.375
2000	7 1/16"	0.437

See page F-9 for accessories.

THRU-BOLT MOUNT



For mounting one 3kVA thru 50kVA transformer, recloser or sectionalizer, having 12” ANSI/NEMA type A lugs (no adaptor plate required).

A- Bolts included (standard). *For B bolts add suffix “B” to end of catalog number.*

Catalog Number	Transformer Size	Stand Off from Pole	Transformer Bolt Spacing
BMAC-126TB	3kVA thru 50 kVA	6”	12” ANSI/NEMA Type A Lugs
BMAC-129TB	3kVA thru 50 kVA	9”	12” ANSI/NEMA Type A Lugs

For mounting one 3kVA thru 100kVA transformer, recloser or sectionalizer, having 12” or 24” ANSI/NEMA type B lugs (no adaptor plate required).

B- Bolts included (standard). *For A bolts add suffix “A” to end of catalog number.*

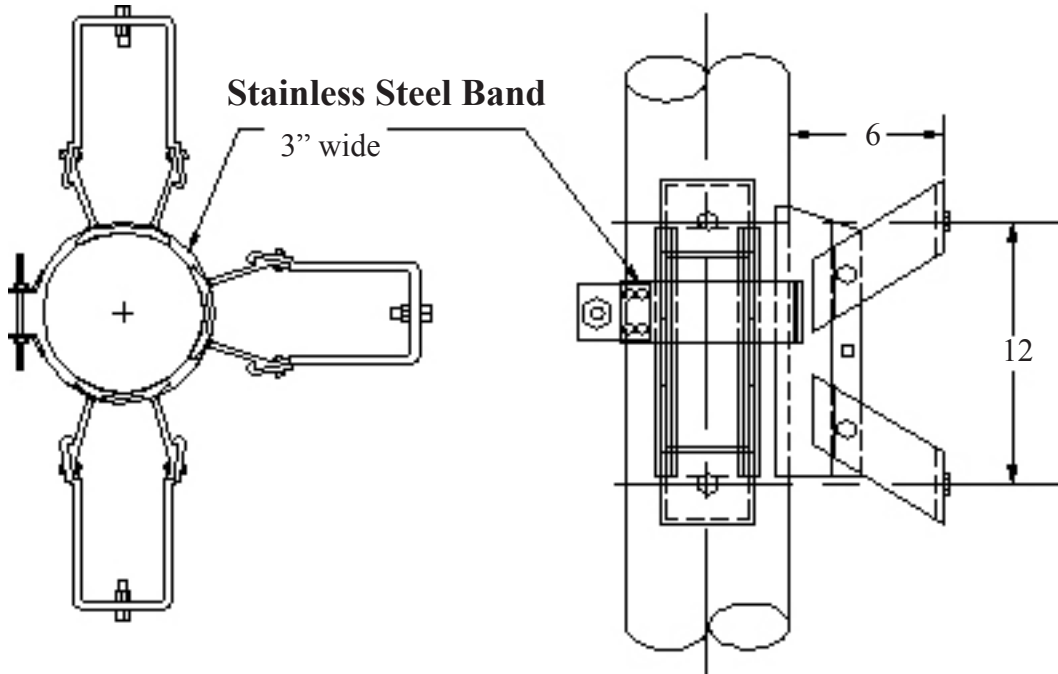
Catalog Number	Transformer Size	Stand Off from Pole	Transformer Bolt Spacing
BMAC-156TB	3kVA thru 100 kVA	6”	12” or 24” ANSI/NEMA Type A or B Lugs
BMAC-159TB	3kVA thru 100 kVA	9”	12” or 24” ANSI/NEMA Type A or B Lugs

- Ground wire clamp and 5/8” or 3/4” hot-dipped galvanized transformer mounting hardware furnished with the mount.
- Attaches to the pole with two 5/8” diameter thru-bolts (not supplied) at 7-1/16” hole spacing.
- 3” wide slot(s) standard - can be used with stainless steel band kits (sold separately).
- Mounts equipment 6” or 9” from the pole.
- Extension kit available by adding “-5 to BMAC XXXX”

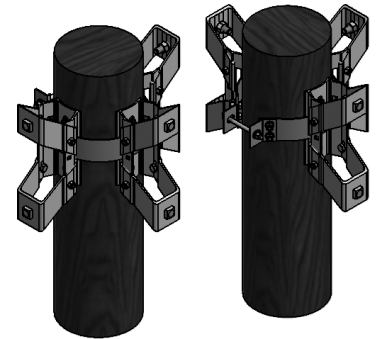
See page F-9 for accessories.

BANDED TRANSFORMER CLUSTER MOUNTS

Mounts 3KVA Thru 50 KVA Transformers



Catalog Number	Description
BMAC-366SS	Mounts three transformers 6" from pole
BMAC-264SS	Mounts two transformers 6" from pole.
BMAC-162SS	Mounts one transformer 6" from pole.



- Cluster made with high strength extruded 6061-T6 aluminum alloy.
- With ground wire clamp (supplied standard).
- Ultimate load 6,000# total - 2,000# per position.
- 12" NEMA transformer spacing.
- EE1-NEMA type A lugs.
- A-Bolt pack included (standard).

For B-pack add "B" to end of catalog number.

For C-pack add "C", for AB-pack add "AB".

- Completely assembled.
- 3" wide stainless steel banding cut to special lengths as specified by customer.
- Ideal for under build construction on large transmission poles.
- Extension kit available by adding "-5 to BMAC XXXX"

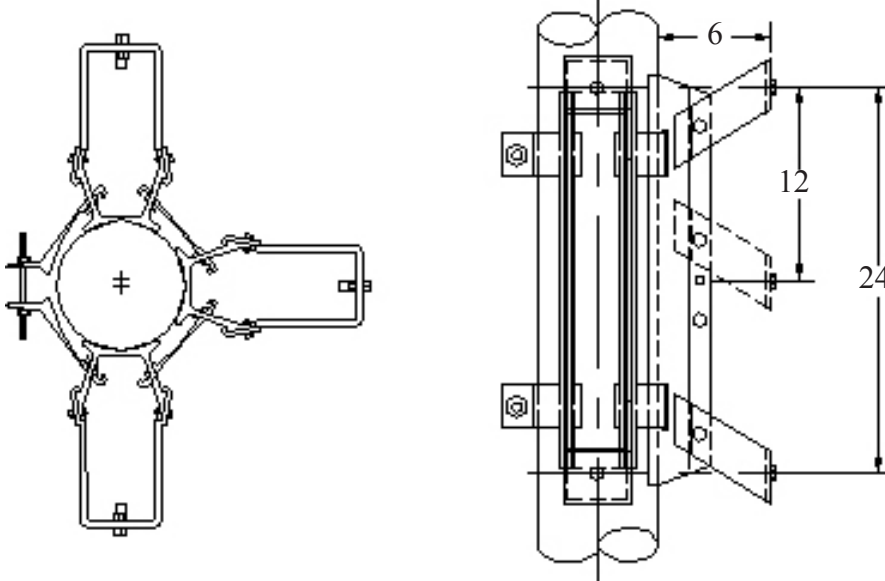
Test Data

Pounds	Measurement	Deflection
0	6 5/8"	0
500	6 3/4"	0.125
1000	6 7/8"	0.250
1500	7"	0.375
2000	7 1/16"	0.437

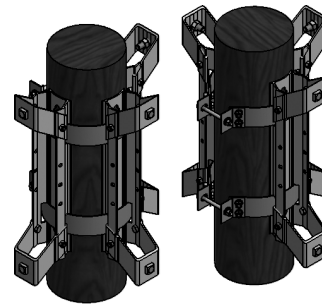
See page F-9 for accessories.

BANDED TRANSFORMER CLUSTER MOUNTS

Mounts 3KVA Thru 167 KVA Transformers



Catalog Number	Description
BMAC-3156	Mounts three transformers 6" from pole
BMAC-2106	Mounts two transformers 6" from pole.
BMAC-156	Mounts one transformer 6" from pole.



- Cluster made with high strength extruded 6061-T6 aluminum alloy.
- With ground wire clamp.
- Ultimate load 15,000# total - 5,000# per position.
- 12" or 24" NEMA transformer spacing.
- EE1-NEMA type B lugs.
- Completely assembled.
- Adaptor plates available for 167KVA thru 250 KVA.
- B-Bolt pack included (standard).

*For A-pack add "A" to end of catalog number.
 For C-pack add "C", for AB-pack add "AB".
 -Add suffix "-5" for optional extension plate and hardware to increase pole diameter range up to 5".*

- Extension kit available by adding "-5 to BMAC XXXX"

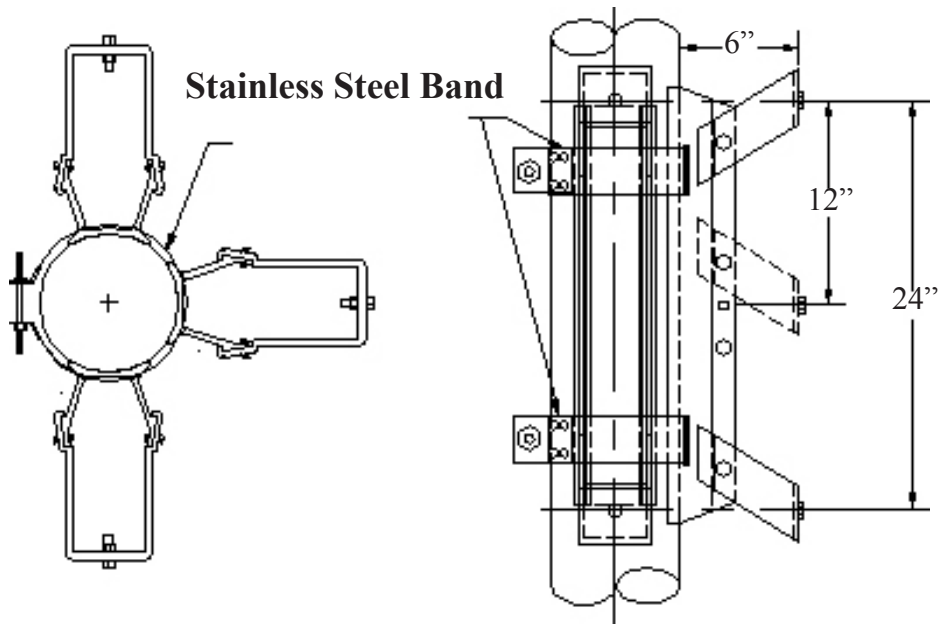
Test Data

Pounds	Measurement	Deflection
0	6 3/4"	0
1000	7"	0.250
2000	7 3/4"	0.281
3000	7 1/4"	0.500
4000	7 13/8"	0.625
5000	7 1/2"	0.750
5500	7 9/16"	0.812
6000	7 5/8"	0.874

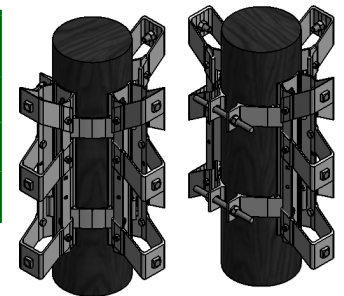
See page F-9 for accessories.

BANDED TRANSFORMER CLUSTER MOUNTS

Mounts 3KVA Thru 167 KVA Transformers



Catalog Number	Description
BMAC-3156SS	Mounts three transformers 6" from pole
BMAC-2106SS	Mounts two transformers 6" from pole.
BMAC-156SS	Mounts one transformer 6" from pole.



- Cluster made with high strength extruded 6061-T6 aluminum alloy.
- With ground wire clamp.
- Ultimate load 15,000# total - 5,000# per position.
- 12" or 24" NEMA transformer spacing.
- EE1-NEMA type B
- Extension kit available by adding
"-5 to BMAC XXXX"

See page F-9 for accessories.

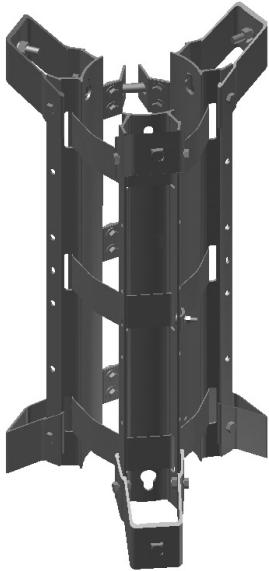
Test Data

Pounds	Measurement	Deflection
0	6 3/4"	0
1000	7"	0.250
2000	7 3/4"	0.281
3000	7 1/4"	0.500
4000	7 13/8"	0.625
5000	7 1/2"	0.750
5500	7 9/16"	0.812
6000	7 5/8"	0.874

BANDED TRANSFORMER CLUSTER MOUNTS

Mounts 3KVA Thru 167 KVA Transformers

BMAC-3156SS-36 for jumbo transformer spacing

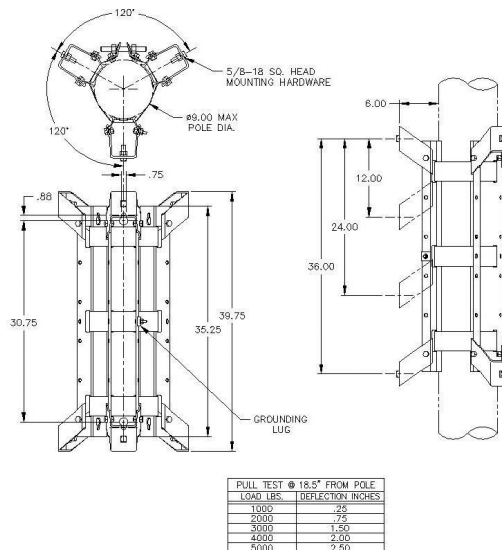


- Cluster made with high strength extruded 6061-T6 aluminum alloy.
- With ground wire clamp.
- Ultimate load 15,000# total - 5,000# per position.
- EE1-NEMA type B lugs.
- Three mounting bands for additional strength
- 12", 24", or 36" NEMA transformer spacing
- Designed specifically for use on "Jumbo Transformers" to allow the transformers to be mounted further apart. Up to 120 degrees on 9" pole diameters.
- B-Bolt pack included (standard).
For A-pack add "A" to end of catalog number.
For C-pack add "C", for AB-pack add "AB".
- Completely assembled.
- Stainless steel banding cut to special lengths as specified by customer.
- Ideal for under build construction on lug transmission poles.
- Adaptor plates available for 167KVA thru 250 KVA.
- Extension kit available by adding "-5 to BMAC XXXX"

See page 9 for accessories.

Test Data
Pull Test @ 18.5"
From Pole:

Pounds	Deflection
1000	.25
2000	.75
3000	1.50
4000	2.00
5000	2.50

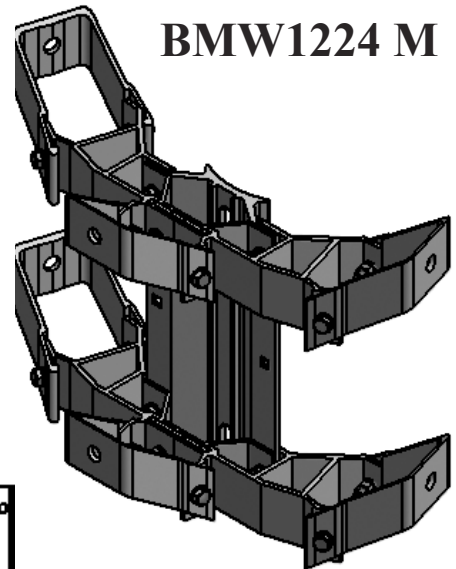
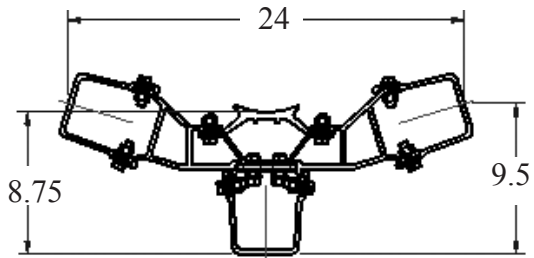


LOAD LBS.	DEFLECTION INCHES
1000	.25
2000	.75
3000	1.50
4000	2.00
5000	2.50

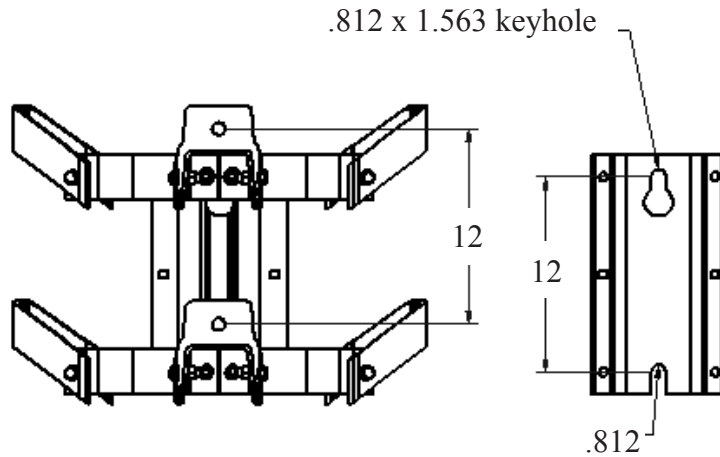
Catalog Number	Description
BMAC-3156SS-36	Mounts three transformers 6" from pole for pole sizes 9" - 12".
BMAC-3156SS-36-H	Mounts three transformers 6" from pole for pole sizes 17' - 19.5".

WING CLUSTER MOUNT

Mounts 3KVA Thru 50 KVA Transformers



BMW1224 M



Test Data

Distance From Pole	2500 LBS Per Position	Deflection (inch)
14"	500	.281
14"	1000	.516
14"	1500	.718
14"	2000	.890
14"	2500	1.076
14"	3000	Failed
18"	500	.179
18"	1000	.412
18"	1500	.618
18"	2000	.887
18"	2500	1.056
22"	500	.355
22"	1000	.629
22"	1500	1.063
22"	2000	1.251
22"	2500	1.549
26"	500	.653
26"	1000	1.062
26"	1500	1.616
26"	2000	2.166
26"	2500	2.790

- Made of high strength extruded 6061-T6 aluminum alloy.
- 12" NEMA transformer spacing.
- EE-1 NEMA type A lugs.
- Comes standard with ground wire clamp.
- Hot dipped galvanized mounting hardware.
- Completely assembled.
- Lifting eye included.
- A- Bolt pack included (standard).
For B-pack add "B" to end of catalog number.
For C-pack add "C", for AB-pack add "AB".
- Extension kit available by adding "-5 to BMAC XXXX"

See page F-9 for accessories.

F-Transformer Brackets

WING CLUSTER MOUNT

Mounts 3KVA Thru 100 KVA Transformers

- Made of high strength extruded 6061-T6 aluminum alloy.
- 24” NEMA transformer spacing.
- EE-1 NEMA type B lugs
- With ground wire clamp, standard.
- Hot dipped galvanized mounting hardware.
- Completely assembled.
- Lifting eye included.
- B- Bolt pack included (standard).

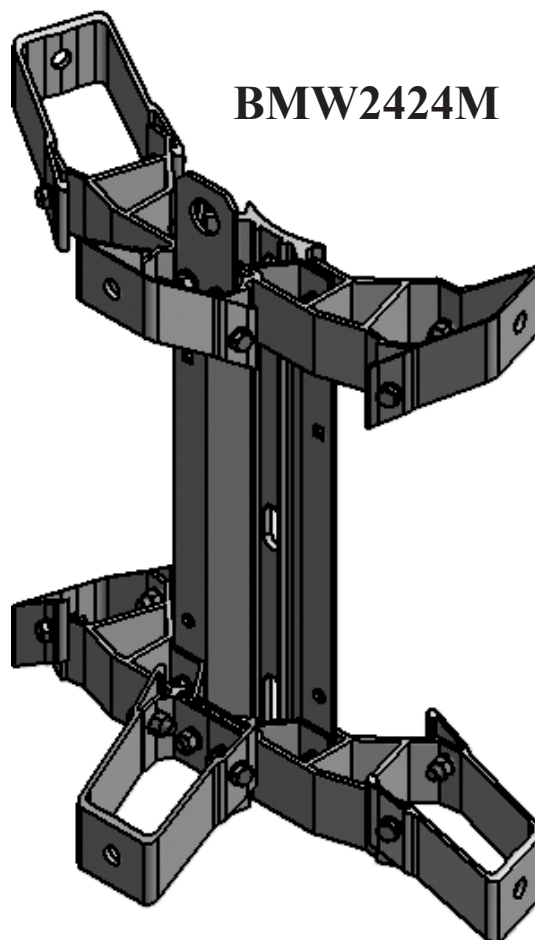
For A-pack add “A” to end of catalog number.

For C-pack add “C”, for AB-pack add “AB”.

See page F-9 for accessories.

Test Data

Distance From Pole	LBS Per Position	Deflection (inch)
14”	1000	.304
14”	2000	.523
14”	3000	.731
14”	4100	.838
14”	5000	Failed
18”	1000	.320
18”	2000	.579
18”	3000	.854
18”	4100	1.115
22”	1000	.344
22”	2000	.549
22”	3000	.910
22”	4100	1.144
26”	1000	.466
26”	2000	.913
26”	3000	1.553
26”	4100	2.241



BMW2424M

BOLT PACKS/ADAPTOR PLATES/EXTENSION PLATES

Bolt Packs

Type	Approximate Shipping Wgt. lbs Per Unit	Description
A-Bolt Pack	2	6 - 5/8" x 2" hot dipped galvanized transformer mounting bolts, nuts and lockwashers as required for type A lugs.
B-Bolt Pack	3	6 - 3/4" x 2" hot dipped galvanized transformer mounting bolts, nuts and lockwashers as required for type B lugs.
C-Bolt Pack	2.75	6 - 5/8" x 2 1/2" high strength hot dipped galvanized a square head bolts, hex nuts and lockwashers. For use with all transformer lugs. 3/4" head, 5/8" thread.
AB-Bolt Pack	5	A combination of Model A and B as shown above.

Adapter Plates

Type	Approximate Shipping Wgt. lbs Per Unit	Description
BA-321 B	3	Aluminum Adapter Plate with 3/4" x 2 3/4" galvanized mounting bolt for attaching adapter to cluster. (Two required per transformer).
BA-321 A	3	Aluminum Adapter Plate with 5/8" x 2" galvanized mounting bolt for attaching adapter to transformer. (Two required per transformer).

Extension Plates

BMAC-EXT-KIT	<p>Extension plate and hardware kit. Used with banded style cluster mounts to increase pole diameter range up to 4".</p> <p>1 extension kit per band assembly is required.</p>
--------------	--

