

# SPLICE KITS

600V

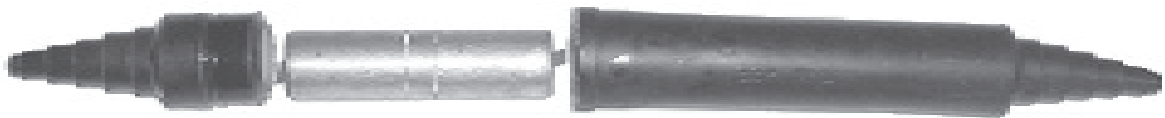
## TYPE TSC-K

### Compression Cable Splice with 600 Volt EPDM Rubber Cover

- Splice kits include a ready-to-use compression sleeve splice, a type TSC splice cover of EPDM rubber, a pack of silicon, grease, and an instruction sheet.
- Aluminum sleeves are intended for splicing aluminum to aluminum or aluminum to copper wires.
- Can be used for completely submersed, direct burial, cable tray, or other 600-volt applications.

Catalog Number	Wire Range End A		Wire Range End B		Connector Length - Inches (mm)	Die	Overall Length
	AWG	Range	AWG	Range			
TSC10-10K	10 Str. - 8 Sol.	.114 - .128	10 Str. - 8 Sol.	.114 - .128	2.00 (60)	Burdny BG Kearney 5/8	10.08 Has an ACS Sleeve 2" Long
TSC8-10K	8 Str. - 6 Sol.	.128 - .162	10 Str. - 8 Sol.	.114 - .128			
TSC8-8K	8 Str. - 6 Sol.	.128 - .162	8 Str. - 6 Sol.	.128 - .162			
TSC6-10K	6 Str. - 4 Sol.	.162 - .206	10 Str. - 8 Sol.	.114 - .128			
TSC6-8K	6 Str. - 4 Sol.	.162 - .206	8 Str. - 6 Sol.	.128 - .162			
TSC6-6K	6 Str. - 4 Sol.	.162 - .206	6 Str. - 4 Sol.	.162 - .206			
TSC4-10K	3 - 4 Str. - 2 Sol.	.204 - .258	10 Str. - 8 Sol.	.114 - .128			
TSC4-8K	3 - 4 Str. - 2 Sol.	.204 - .258	8 Str. - 6 Sol.	.128 - .162			
TSC4-6K	3 - 4 Str. - 2 Sol.	.204 - .258	6 Str. - 4 Sol.	.162 - .206			
TSC4-4K	3 - 4 Str. - 2 Sol.	.204 - .258	3 - 4 Str. - 2 Sol.	.204 - .258			
TSC2-10K	1 - 2 Str.	.266 - .332	10 Str. - 8 Sol.	.114 - .128			
TSC2-8K	1 - 2 Str.	.266 - .332	8 Str. - 6 Sol.	.128 - .162			
TSC2-6K	1 - 2 Str.	.266 - .332	6 Str. - 4 Sol.	.162 - .206			
TSC2-4K	1 - 2 Str.	.266 - .332	3 - 4 Str. - 2 Sol.	.204 - .258			
TSC2-2K	1 - 2 Str.	.266 - .332	1 - 2 Sol.	.266 - .332			
TSC1/0-10K	1/0 Str.	.336 - .398	10 Str. - 8 Sol.	.114 - .128			
TSC1/0-8K	1/0 Str.	.336 - .398	8 Str. - 6 Sol.	.128 - .162			
TSC1/0-6K	1/0 Str.	.336 - .398	6 Str. - 4 Sol.	.162 - .206			
TSC1/0-4K	1/0 Str.	.336 - .398	3 - 4 Str. - 2 Sol.	.204 - .258			
TSC1/0-2K	1/0 Str.	.336 - .398	1 - 2 Str.	.266 - .332			
TSC1/0-1/0K	1/0 Str.	.336 - .398	1/0 Str.	.336 - .398			

*The splicing sleeve contains a solid center stop as assurance of equal crimping.*



# SPLICE KITS



## TYPE TSC-K

### Compression Cable Splice with 600 Volt EPDM Rubber Cover

600V

- Splicing kits include a ready-to-use compression sleeve splice, a type TSC or FH splice cover of EPDM rubber, a pack of silicon grease and the instruction sheet.
- Aluminum sleeves are intended for splicing aluminum to aluminum or aluminum to copper wires.
- Can be used for completely submersed, direct burial, cable tray, or other 600-volt applications.

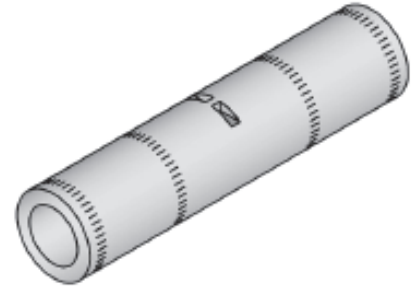
Catalog Number	Conductor "A" Range			Conductor "B" Range			Crimp Die Sizes	Connector Length Inches (MM)	Overall Length Inches
	Concentric	Compressed	Compact	Concentric	Compressed	Compact			
TSC1/0-2K	1/0	1/0	1/0&2/0	4&3	4&3	4	Kearney K840 Burndy 249 T & B TX or 76 Anderson VC6 EEI-11A  USS700681 USS700654	4.00 (102)	10.08
TSC1/0-1/0K	1/0	1/0	1/0&2/0	1/0	1/0	1/0&2/0			
TSC2/0-2K	2/0	2/0	3/0	2&1	2&1	1			
TSC2/0K	2/0	2/0	3/0	2&1	2&1	1			
TSC2/0-1/0K	2/0	2/0	3/0	1/0	1/0	1/0&2/0			
TSC2/0-2/0K	2/0	2/0	3/0	2/0	2/0	3/0			
TSC3/0-2K	3/0	3/0	4/0	2&1	2&1	1			
TSC3/0-1/0K	3/0	3/0	4/0	1/0	1/0	1/0&2/0			
TSC3/0-2/0K	3/0	3/0	4/0	2/0	2/0	3/0			
TSC3/0-3/0K	3/0	3/0	4/0	3/0	3/0	4/0			
TSC250-1/0K	4/0&250	4/0&250	250	1/0	1/0	1/0			
TSC250-2/0K	4/0&250	4/0&250	250	2/0	2/0	3/0			
TSC250-3/0K	4/0&250	4/0&250	250	3/0	3/0	4/0			
TSC250-250K	4/0&250	4/0&250	250	4/0&250	4/0&250	250			
TSC350-350K	350	300&350	350	300&350	300&350	350			
TSC300-300K	300	250&300	300&350	250&300	250&300	300&350	Kearney 1 1/8-1 or 1 1/8-2 Burndy 316, 655, 705, 13A	4.25 (108)	12.78 Has an ACL-Sleeve 4.25
TSC350-350K	300 &350	300&350	350&400	300&350	300&350	350&400			
TSC400-400K	336&400	336&400	500	336&400	336&400	500			
TSC500-500K	450&500	450&500	600	450&500	450&500	600	Kearney 1 5/16 Burndy 317, 327, 719, 14A	5.00 (127)	12.78 Has an ACL Sleeve 5.0
TSC500-500K	450&500	450&500	600	450&500	450&500	600			
TSC750-750K	600, 700, 750&800	600&700, 700, 750&800	700&800, 900	600&700, 700, 750&800	600&700, 700, 750&800	750&800, 900	Kearney 1 1/2 Burndy 301, 342, 608, 722, 786, 125	6.00 (152)	17.65 Has an ACL Sleeve 6.0
TSC1000-1000K	900&1000	900&1000		900&1000	900&1000		Burndy 302,352, 725 T & B 150	8.00 (203)	17.65 Has an ACL Sleeve 6.00

# COMMON DIE COMPRESSION SPLICE CONNECTORS

## TYPE NCL

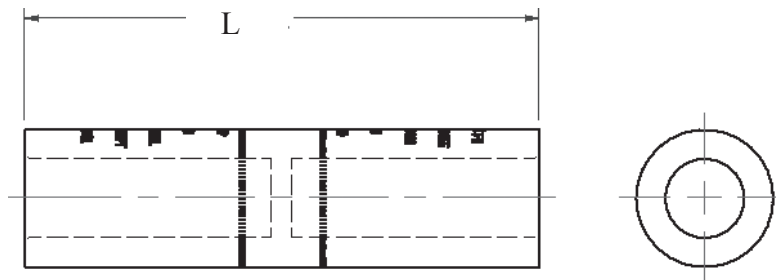
### Aluminum Semi-Tension Neutral Splicing Sleeve for Use on Overhead Triple Service Conductor

#### DUAL-RATED CONNECTORS FOR ALUMINUM OR COPPER CONDUCTORS



- The neutral splicing sleeve contains a solid center stop as assurance of equal crimping.
- Connectors are pre-filled and plugged with electrical joint compound.
- Marked with catalog number, conductor size and die reference.
- Meets performance requirements of ANSI C119.4.

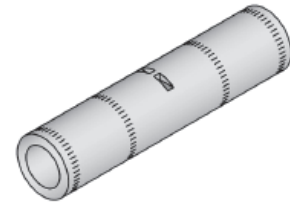
Catalog Number	Conductor		Range	Length - Inches (mm)	Die
	Aluminum	ASCR			
NCL6	6 Str. - 4 Sol.	6	.184 - .204	4.205 (108)	Burndy, BG Kearney, 5/8
NCL4	4 Str. - 2 Sol.	4	.232 - .258		
NCL2	2 Str.	2	.292 - .316		
NCL1/0	1/0 Str.	0	.368 - .368		



# COMMON DIE COMPRESSION SPLICE CONNECTORS

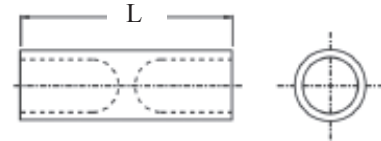
## TYPE ACS

### 5/8 Aluminum Service Entrance Sleeve



#### DUAL-RATED CONNECTORS FOR ALUMINUM OR COPPER CONDUCTORS

- The splicing sleeve contains a solid center stop as assurance of equal crimping.
- Connectors are pre-filled and plugged with electrical joint compound.
- Marked with catalog number, conductor size and die reference.
- Meets performance requirements of ANSI C119.4.



Catalog Number	Wire Range End A			Wire Range End B			Length Inches	Die
	ACSR	AWG	Range	ACSR	AWG	Range		
ACS10-10	0	10 Str. - 8 Sol.	.114 - .128	n/a	10 Str. - 8 Sol.	.114 - .128	2.00	Burdny BG Kearney 5/8
ACS8-10	0	8 Str. - 6 Sol.	.128 - .162	n/a	10 Str. - 8 Sol.	.114 - .128		
ACS8-8	0	8 Str. - 6 Sol.	.128 - .162	n/a	8 Str. - 6 Sol.	.128 - .162		
ACS6-10	6	6 Str. - 4 Sol.	.162 - .206	n/a	10 Str. - 8 Sol.	.114 - .128		
ACS6-8	6	6 Str. - 4 Sol.	.162 - .206	n/a	8 Str. - 6 Sol.	.128 - .162		
ACS6-6	6	6 Str. - 4 Sol.	.162 - .206	6	6 Str. - 4 Sol.	.162 - .206		
ACS4-10	4	3-4 Str. - 2 Sol.	.204 - .258	n/a	10 Str. - 8 Sol.	.114 - .128		
ACS4-8	4	3-4 Str. - 2 Sol.	.204 - .258	n/a	8 Str. - 6 Sol.	.128 - .162		
ACS4-6	4	3-4 Str. - 2 Sol.	.204 - .258	6	6 Str. - 4 Sol.	.162 - .206		
ACS4-4	4	3-4 Str. - 2 Sol.	.204 - .258	4	3-4 Str. - 2 Sol.	.204 - .258		
ACS2-10	2	1-2 Str.	.266 - .332	n/a	10 Str. - 8 Sol.	.114 - .128		
ACS2-8	2	1-2 Str.	.266 - .332	n/a	8 Str. - 6 Sol.	.128 - .162		
ACS2-6	2	1-2 Str.	.266 - .332	6	6 Str. - 4 Sol.	.162 - .206		
ACS2-4	2	1-2 Str.	.266 - .332	4	3-4 Str. - 2 Sol.	.204 - .258		
ACS2-2	2	1-2 Str.	.266 - .332	2	1-2 Str.	.266 - .332		
ACS1/0-10	1/0	1/0 Str.	.336 - .398	n/a	10 Str. - 8 Sol.	.114 - .128		
ACS1/0-8	1/0	1/0 Str.	.336 - .398	n/a	8 Str. - 6 Sol.	.128 - .162		
ACS1/0-6	1/0	1/0 Str.	.336 - .398	6	6 Str. - 4 Sol.	.162 - .206		
ACS1/0-4	1/0	1/0 Str.	.336 - .398	4	3-4 Str. - 2 Sol.	.204 - .258		
ACS1/0-2	1/0	1/0 Str.	.336 - .398	2	1-2 Str.	.266 - .332		
ACS1/0-1/0	1/0	1/0 Str.	.336 - .398	1/0	1/0 Str.	.336 - .398		
ACS2-2GP	2	1-2	.266 - .332	2	1-2 Str.	.266 - .332	3.00	
ACS1/0-1/0GP	1/0	1-2 Str.	.336 - .398	1/0	1/0 Str.	.336 - .398		

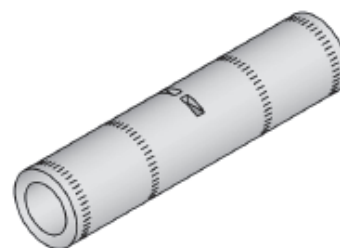
# COMMON DIE COMPRESSION SPLICE CONNECTORS

## TYPE ACL

### Aluminum Common Die Splice Connectors

#### DUAL-RATED CONNECTORS

#### FOR ALUMINUM OR COPPER CONDUCTORS



Material: Aluminum

- For splicing aluminum or copper conductors when joined in limited or loop-tension applications such as pole jumpers and service entrances.
- Connectors are pre-filled and plugged with electrical joint compound.
- Also useful in underground secondaries.
- Marked with catalog number, conductor size, and die references.
- Meets performance requirements of ANSI C119.4.

Catalog Number	Conductor "A" Range			Conductor "B" Range			Crimp Die Sizes	Length Inches (MM)
	Concentric	Compressed	Compact	Concentric	Compressed	Compact		
ACL1/0-4	1/0	1/0	1/0 & 2/0	4 & 3	4 & 3	4	Kearney K840 Burndy 249 T & B TX or 76 Anderson VC6 EEI-11A	4.00 (102)
ACL1/0-1/0	1/0	1/0	1/0 & 2/0	1/0	1/0	1/0 & 2/0		
ACL2/0-2	2/0	2/0	3/0	2 & 1	2 & 1	1		
ACL2/0-1	2/0	2/0	3/0	2 & 1	2 & 1	1		
ACL2/0-1/0	2/0	2/0	3/0	1/0	1/0	1/0 & 2/0		
ACL2/0-2/0	2/0	2/0	3/0	2/0	2/0	3/0		
ACL3/0-2	3/0	3/0	4/0	1/0	1/0	1/0 & 2/0		
ACL3/0-1/0	3/0	3/0	4/0	1/0	1/0	1/0 & 2/0		
ACL3/0-2/0	3/0	3/0	4/0	1/0	1/0	1/0 & 2/0		
ACL3/0-3/0	3/0	3/0	4/0	3/0	3/0	4/0		
ACL250-1/0	4/0 & 250	4/0 & 250	250	1/0	1/0	1/0		
ACL250-2/0	4/0 & 250	4/0 & 250	250	2/0	2/0	3/0		
ACL250-3/0	4/0 & 250	4/0 & 250	250	3/0	3/0	4/0		
ACL250	4/0 & 250	4/0 & 250	250	4/0 & 250	4/0 & 250	250		
ACL350	350	300 & 350	350	300 & 350	300 & 350	350		
ACL300	300	250 & 300	300 & 350	250 & 300	250 & 300	300 & 350		
ACL350-1	300 & 350	300 & 350	350 & 400	300 & 350	300 & 350	350 & 400	Kearney 1 1/8 - 1 or 1 1/8 - 2 Burndy 316, 655, 705, 13A	4.25 (108)
ACL400	336 & 400	336 & 400	500	336 & 400	336 & 400	500		
ACL500	450 & 500	450 & 500	600	450 & 500	450 & 500	600		
ACL500	450 & 500	450 & 500	600	450 & 500	450 & 500	600	Kearney 1 5/16 Burndy 317, 327, 719, 14A	5.00 (127)
ACL600 ACL750	600 & 700 750 & 800	600 & 700 700 750 & 800	750 & 800 900	600 & 700 700 750 & 800	600 & 700 700 750 & 800	750 & 800 900	Kearney 1 1/2 Burndy 301, 342, 608, 722, 786, 125	6.00 (152)
ACL1000	900 & 1000	900 & 1000	0	900 & 1000	900 & 1000	0	Burndy 302, 352, 725 T & B 150	8.00 (203)

# COMMON DIE COMPRESSION CONNECTORS

## TYPE AD / AMS

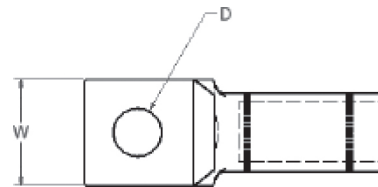
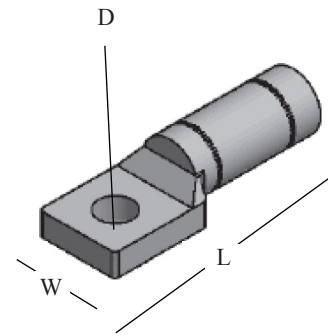
### Aluminum One-Hole Terminal Lugs

#### DUAL-RATED CONNECTORS FOR ALUMINUM OR COPPER CONDUCTORS

- Standard mounting hole diameter is .562" for 1/2" bolts.
- The end wall within the cable socket of this design is solid and pressure tight.
- Connectors are pre-filled and plugged with electrical joint compound.
- Marked with catalog number, conductor size and die reference.
- Meets performance requirements of ANSI C119.4.

Material: Aluminum

Catalog Number	Conc. Round & Compression	Compact Strand	Common Crimping Dies	L	W	D
				Dimensions Inches (mm)		
AD12	12	-	EEI-8A Burndy BG or 243 Kearney 5/8 T & B TU or 52	3.19 (76)	.91 (23)	.56 (14)
AD10	10	-				
AD8	8	8				
AD6	6	6				
AD4	4	4				
AD2	2 & 1	2 & 1				
AD1	1	1/0				
AD1/0	1/0	1/0 & 2/0				
AMS6	6	-	EEI-11A Burndy WK840, 249 Kearney 840 T & B TX or 76	3.25 (83)	.91 (23)	.56 (14)
AMS4	4	4				
AMS2	2-1	2				
AMS1/0	1/0	1/0-2/0				
AMS2/0	2/0	3/0				
AMS3/0	3/0	4/0				
AMS4/0	4/0 & 250	250-300				
AMS300	300	300-350				
AMS350	336-350	400	Kearney 11/8-2 Burndy 316, 317, 655	3.25 (83)	1.06 (27)	.56 (14)
AMS400	400	500	EE1-14A Kearney 1-5/16	4.063 (118)	1.25 (32)	.56 (14)
AMS500	500	600	Burndy 317	4.63 (118)	1.25 (32)	.56 (14)
AMS750	750	900	Kearney 11/2 Burndy 301	4.88 (124)	1.60 (45)	.56 (14)



*Notes: Add suffix "TP" for tin plating. Add suffix "38" for .406" diameter mounting hole.*

# COMMON DIE COMPRESSION CONNECTORS

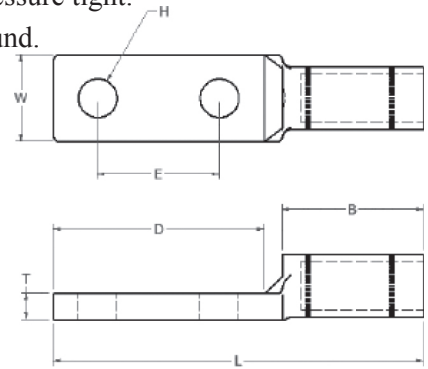
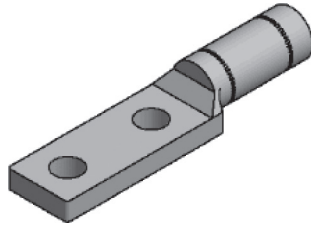
## TYPE ALM

### Aluminum Two-Hole, NEMA-Drilled Compression Terminal Lugs

DUAL-RATED CONNECTORS  
FOR ALUMINUM OR COPPER CONDUCTORS

Material: Aluminum

- Standard mounting hole diameter is .562" for 1/2" bolts.
- The end wall within the cable socket of this design is solid and pressure tight.
- Connectors are pre-filled and plugged with electrical joint compound.
- Marked with catalog number, conductor size and die reference.
- Meets performance requirements of ANSI C119.4.



Catalog Number	Concentric Strand	Compact Strand	O.D. Range Inches	Common Crimping Dies	B	W	D	L	T	E	H
					Dimensions Inches (mm)						
ALM4A	4-3	4-3	.213-.258	EEI-8A Burndy BG,243 Keady 5/8 T&B-TU or 52	1.75 (44)	1.00 (25)	3.12 (79)	5.35 (137)	.31 (8)	1.75 (44)	.56 (14)
ALM2A	2-1	2-1	.268-.328								
ALM1/0A	1/0	1/0	.336-.398								
ALM4	4-3	4-3	.213-.258	EEI-11A Alcoa 11AH Burndy 249 Kearny 840 T&B TX or 76	1.88 (48)	1.00 (25)	3.12 (79)	5.75 (146)	.25 (6)	1.75 (44)	.56 (14)
ALM2	2-1	2-1	.268-.328								
ALM1/0	1/0	1/0-2/0	.336-.398								
ALM2/0	2/0	3/0	.388-.448								
ALM3/0	3/0	4/0	.442-.502								
ALM4/0	4/0-250	4/0-300	.511-.575								
ALM250	250	300-350	.475-.575	EEI-13A Alcoa 13AH Burndy 316,317,655 Kearny 11/8-1 or 11/8-2 T&B 96	2.38 (60)	1.00 (25)	3.13 (79)	6.00 (1.52)	.37 (9)	1.75 (44)	.56 (14)
ALM300	300	350-400	.570-.630								
ALM350	350	350-400	.618-.684								
ALM400	397.5-450	500	.724-.772								
ALM500	500	600	.743-.814								
ALM400-1	336.4-400	500	.666-.743	EEI14A Kearny 15/16 Burndy 317,327,719	2.81 (71)	1.32 (34)	3.13 (80)	6.88 (175)	.41 (10)	1.75 (44)	.56 (14)
ALM500-1	450-500	600	.743-.814								

Note: Add suffix "TP" for tin plating.

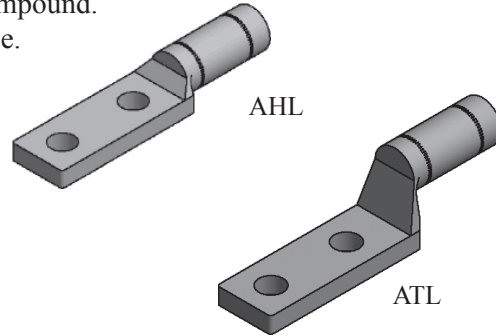
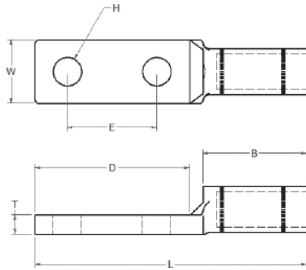
# COMMON DIE COMPRESSION CONNECTORS

## TYPE **AHL / ATL**

### Aluminum Two-Hole, NEMA Compression Stacking Lugs

DUAL-RATED CONNECTORS  
FOR ALUMINUM OR COPPER CONDUCTORS

- Standard mounting hole diameter is .562" for 1/2" bolts.
- Offset heights and mounting pad dimensions allow ATL lugs to be stacked on AHL lugs so two conductors can be connected to each NEMA two-hole position on a terminal spade.
- Connectors are pre-filled and plugged with electrical joint compound.
- Marked with catalog number, conductor size and die reference.
- Meets performance requirements of ANSI C119.4.



Catalog Number		Concentric Strand	Compact Strand	O.D. Range Inches	Common Crimping Dies	B	W	D	L	T	E
Bottom Lug	Stacking Lug					Dimensions Inches (mm)					
AHL2	ATL2	2-1	2-1	.268 - .328	EEI-11A Alcoa 11AH Burndy 249 Kearney 840 T&B TX or 76	1.88 (48)	1.25 (32)	3.25 (52)	6.00 (152)	.25 (6.35)	1.75 (83)
AHL1/0	ATL1/0	1/0	1/0-2/0	.336 - .398							
AHL2/0	ATL2/0	2/0	3/0	.388 - .488							
AHL3/0	ATL3/0	3/0	4/0	.442 - .502							
AHL4/0	ATL4/0	4/0-250	250-300	.511 - .575	EEI-13A Alcoa 13AH Burndy 316,317,655 Kearney 11/8-1 or 11/8-2 T&B 96	2.50 (64)	1.50 (38)	3.25 (59)	6.63 (168)	.38 (9.65)	1.75 (83)
AHL250	ATL250	4/0-250	4/0-300	.475-.575							
AHL300	ATL350	250-300	300-350	.570 - .630							
AHL350	ATL350	300-350	350-400	.618 - .684							
AHL400	ATL400	397.5-450	500	.724 - .772	EEI 14A Kearney 15/16 Burndy 317,327,719	2.63 (67)	1.50 (38)	3.25 (62)	6.75 (171)	.44 (11)	1.75 (83)
AHL400-1	ATL400-1	336.4-400	500	.666 - .743							
AHL500-1	ATL500-1	450-500	600	.743 - .814	Alcoa 27AH or C-3570-3 Burndy 301,608, 724,786 Kearney 11/2 T&B 140	3.38 (86)	1.63 (41)	3.25 (73)	7.88 (200)	.56 (14)	1.75 (83)
AHL400-2	ATL400-2	336.4-400	500	.666 - .743							
AHL500-2	ATL500-2	450-500	600	.743 - .814							
AHL600	ATL600	600	750-800	.883 - .966							
AHL750	ATL750	700-750	900	.964 - 1.031	Kearney 11/2 T&B 140						
AHL1000	ATL1000	900-1000		1.092 - 1.152							

Note: Add suffix "TP" for tin plating.



# COMPRESSION CONNECTORS

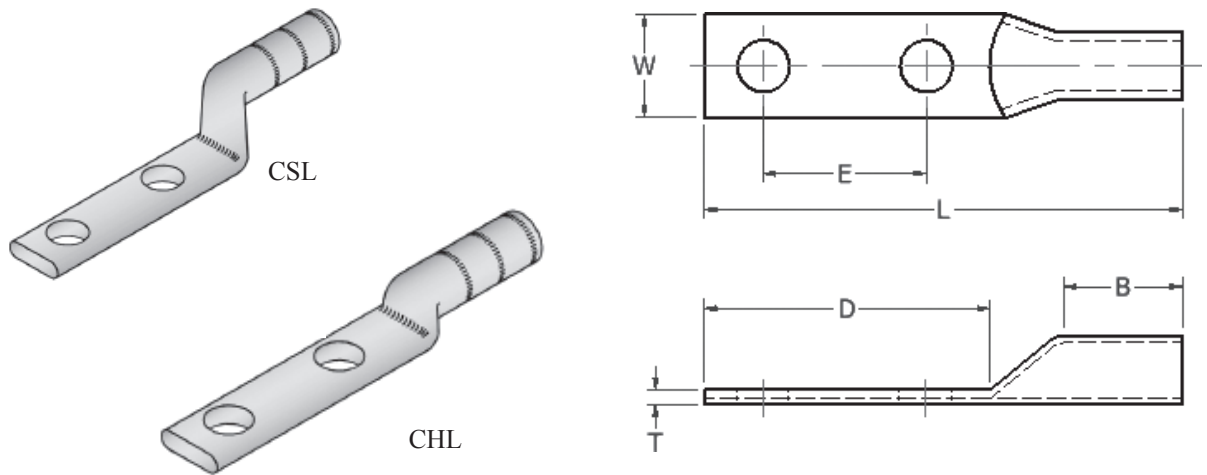
## TYPE CHL / CSL

### Two-Hole Copper Compression Lugs

Material: Tin Plated Copper

#### FOR COPPER CONDUCTORS ONLY

- Extra long top surfaces on NEMA drilled pads provide compatibility for mounting type CSL stacking lugs so that two conductors can be connected to each NEMA two-hole attachment position on transformer spade terminals and bus bars.
- Each fitting is marked with several manufacturers' recommended crimping dies.



Catalog Number		Cond. Range & (O.D. - Inches)	Crimping Die Index	B	W	D	L	T	E
Bottom Lug	Stacking Lug			Dimensions Inches (mm)					
CHL1/0BN	CSL 1/0BN	1/0 Str. (.360 - .383)	12,1/2,TQ,42	1.37 (35)	.84 (21)	3.06 (78)	4.87 (124)	.12 (3)	1.75 (45)
CHL2/0BN	CSL 2/0BN	2/0 Str. (.405 - .430)	13,9/16,TS,45	1.50 (38)	.84 (21)	3.06 (78)	5.03 (128)	.12 (3)	1.75 (45)
CHL3/0BN	CSL 3/0BN	3/0 Str. (.455 - .480)	14,9/16,TU,50	1.50 (38)	.90 (23)	3.15 (80)	5.09 (129)	.13 (3)	1.75 (45)
CHL4/0BN	CSL 4/0BN	4/0 Str. (.505 - .535)	15,5/18,TWTY,54	1.62 (41)	1.03 (26)	3.25 (83)	5.50 (149)	.14 (4)	1.75 (45)
CHL250BN	CSL 250BN	250 Str. (.550 - .580)	16,11/16,TR,60	1.62 (41)	1.12 (28)	3.25 (83)	5.50 (140)	.15 (4)	1.75 (45)
CHL300BN	CSL 300BN	300 Str. (.610 - .640)	17,781,TV,66	2.00 (51)	1.21 (31)	3.37 (86)	6.10 (155)	.16 (4)	1.75 (45)
CHL350BN	CSL 350BN	350 Str. (.660 - .690)	18,840,TX,71	2.00 (51)	1.31(33)	3.37 (86)	6.25 (159)	.17 (4)	1.75 (45)
CHL400BN	CSL 400BN	400 Str. (.715 - .745)	19,15/16,TX,76	2.12 (54)	1.40 (36)	3.37 (96)	6.44 (164)	.19 (5)	1.75 (45)
CHL500BN	CSL 500BN	500 Str. (.795 - .830)	20,1,TH,87	2.25 (57)	1.53 (39)	3.37 (96)	6.55 (167)	.22 (6)	1.75 (45)
CHL600BN	CSL 600BN	600 Str. (.870 - .905)	22,11/8,96	2.68 (69)	1.68 (43)	3.50 (90)	7.50 (191)	.26 (7)	1.75 (45)
CHL750BN	CSL 750BN	700-750 Str. (.964 - 1.010)	24, 15/16,106	2.87 (73)	1.90 (48)	3.50 (90)	7.60 (193)	.27 (7)	1.75 (45)
CHL1000BN	CSL1000BN	1000 Str. (1.124 - 1.152)	27,11/2,125	3.00 (76)	2.18 (550)	3.50 (90)	7.90 (201)	.33 (8)	1.75 (45)

# INSTALLATION TOOLING FOR COPPER CONNECTORS

## TYPE CHL, CSL AND CSS Copper Connectors

Copper Only		Burdny						Hubbell	Blackburn	T&B	
		Dieless Mechanical	Dieless Hydraulic		Hydraulic Battery and Self Contained		Burdny Die Index	Anderson		TNB	TNB
Cable Size	Die Color Code		PAT644	PAT81KFT and PAT-4PC834**	PATMD Series	PAT750 Series		Sq. D	JB12A	12-M	15M
			Y644	Y81KFT and Y4PC834 **	MD6 Series	Y750, Y35		VC Series		Hand Hydr.	Elect. Hydr.
			#6-1000	#8 - 1000 and #8-1K Term #8-500 Splices**	6 TON - "W"	12 TON - "U"					
8 AWG	RED	MY29-3	-	X (1)	W8CRT (1)	U8CRT (1)	49	X (1)	B71CH	21 (1)	21 (1)
6 AWG	BLUE	MY29-3	1 CRIMP	X (1)	W5CRT (1)	U5CRT (1)	7	X (1)	B73CH	24 (2)	24 (2)
4 AWG	GREY	MY29-3	1 CRIMP	X (1)	W4CRT (1)	U4CRT (1)	8	X (1)	B74CH	29 (2)	29 (2)
3 AWG	WHITE	MY29-3	1 CRIMP	X (1)	W3CRT (1)	U3CRT (1)	9	X (1)	B74CH	29 (2)	29 (2)
2 AWG	BROWN	MY29-3	1 CRIMP	X (1)	W2CRT (1)	U2CRT (1)	10	X (1)	B75CH	33 (2)	33 (2)
1/0 AWG	PINK	MY29-3	1 CRIMP	X (1)	W25RT (1)	U25RT (1)	12	X (1)	B06CH	37 (2)	37 (2)
2/0 AWG	BLACK	MY29-3	1 CRIMP	X (1)	W26RT (1)	U26RT (1)	13	X (2)	B72CH	42H (2)	42H (2)
3/0 AWG	ORANGE	MY29-3	1 CRIMP	X (2)	W27RT (1)	U27RT (1)	14	X (2)	B08CH	45 (2)	45 (2)
4/0 AWG	PURPLE	MY29-3	1 CRIMP	X (2)	W28RT (1)	U28RT (1)	15	X (2)	B09CH	50 (2)	50 (2)
250 MCM	YELLOW	MY29-3	1 CRIMP	X (2)	W29RT (1)	U29RT (1)	16	X (2)	B26CH	54H (2)	54H (2)
300 MCM	WHITE	-	1 CRIMP	X (2)	W30RT (1)	U30RT (2)	17	X (2)	B26CH	62 (2)	62 (2)
350 MCM	RED	-	1 CRIMP	X (2)	W31RT (1)	U31RT (2)	18	X (2)	B11CH	66 (2)	66 (2)
400 MCM	BLUE	-	1 CRIMP	X (2)	W32RT (1)	U32RT (2)	19	X (2)		76 (2)	76 (2)
500 MCM	BROWN	-	1 CRIMP	X (2)	W34RT (1)	U34RT (2)	20	X (3)	B12CH	87H (2)	87H (2)
600 MCM	GREEN	-	1 CRIMP	X (2)		U36RT (2)	22		B36CH	94 (3)	94 (3)
750 MCM	BLACK	-	1 CRIMP	X (3)		U39RT (2)	24		B39CH	106H (3)	106H (3)
1000 MCM	WHITE	-	1 CRIMP	X (3)		P44RT (3)*	27				125H (3)

Notes: \* 15 ton tool required to crimp (PAT46)

\*\* 8-500 on splices 8-1000 on terminals

# COMPRESSION CONNECTORS

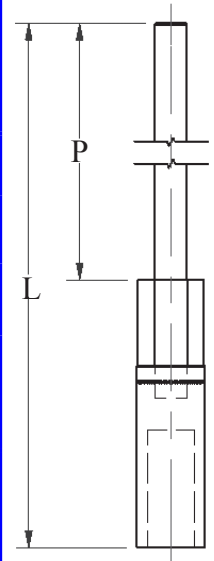
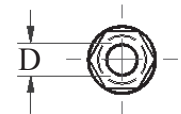
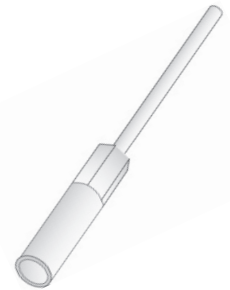
600V

## TYPE PT

### Aluminum Pin Terminals

- Tinned copper rod factory crimped into an aluminum compression sleeve. Cavities are pre-filled with electrical joint compound and capped.
- Pin terminals are widely used in clamp-type plated bronze connectors common to pole-type transformers, disconnect switches, cutouts and lighting arrestors to allow aluminum conductors to be connected. The transition from copper to aluminum is made within a sealed compression joint to assure protection from bi-metallic corrosion.

Catalog Number	Wire Range			"D" Nom. Pin Diameter	"P" Length - Inches	"L" Length - Inches	Common Crimping Die Codes
	Aluminum	ACSR	Dia. Range Min. - Max.				
PT64-2.5	4 Sol. 6 Str. & 6 Comp.	6	.167 - .206	4 Sol.	2.50	4.62	EEI- 81 Burndy BG, 243 Kearney 5/8 Alcoa 08AH T&B TU (52) Anderson VC5, VC6
PT44-2.5	2 Sol. 1 - 2 Str. & 4 Comp.	4	.204 - .258				
PT24-2.5	3-4 Str. 2 Comp. Str.	2	.268 - .328				
PT102S-2.5	1/0 Str. 1/0 Comp.	1/0	.336 - .398				
PT102-6	1/0 Str. 1/0 - 2/0 Comp.	1/0	.336 - .398	2 Sol.	6.00	9.87	EEI - 11A Burndy 249 or 8 40 Kearney 840 Somerset TX or 76 Alcoa 11 AH Anderson VC5
PT2010-6	2/0 Str. 3/0 Comp.	2/0	.414 - .448	1/0 Sol.			
PT3010-6	3/0 Str. 4/0 Comp.	3/0	.442 - .502	3/8			
PT4020-6	4/0-250 Str. 250 Comp	4/0	.552 - .575	4/0 Sol.			
PT34940-6	300-350 Str. 350 Comp		.618 - .684				
PT30050-6	250-300 Str. 300-350 Comp. Str.	4/0 & 266-18/1	.564 - .630	4/0 Sol.	6.00	11.00	EEI-13A; Alcoa 13AH Kearney 11/8 Burndy 316, 655 or 706 Somerset - T&B 96 Anderson VC6
PT35050-6	300-350 Str. 350 Comp.	336-18/1 & 366-36/1	.618 - .684				
PT40050-6	336-400 Str. 500 Comp. Str.	336-18/1 397-36/1	.666 - .741				
PT50050-6	450-500 Str. 600 Comp. Str.	397-18/1 477-36/1	.743 - .814				
PT45062-6	450-500 Str. 600 Comp. Str.	397-18/1-477-341	.743 - .814	5/8	6.00	12.00	EEI - 14A; Alcoa AH Kearney I-15/16; Anderson VC, Burndy 317, 327 or 719 Somerset - T&B 106
PT55062-6	500-556.5 Str.	477-18/1-556-18/1	.811 - .879	5/8	6.00	12.00	Burndy 301, 342, 608, 722 or 786 Kearney 11/2 Alcoa 24 AH Somerset - T&B 125 Anderson VC8
PT70062-6	600-700 Str. 750-800 Comp. Str.	605-36/1-636-36/1	.883 - .996				
PT80075-9	700-800 Str. 1000 Comp.	605-26/7-716-36/1	.964 - 1.031	3/4	9.00	15.25	
PT90075-9	800-900 Str.	715-54/7 795-36/1 & 795-54/7	1.031 - 1.094				
PT100087-6	900-1033 Str.	795-26/17-954-54/7	1.092 - 1.196	7/8	6.00	12.50	Burndy 292, 302, 352, 579 or 725; Alcoa 30AH; T&B 150; Kearney 13/4



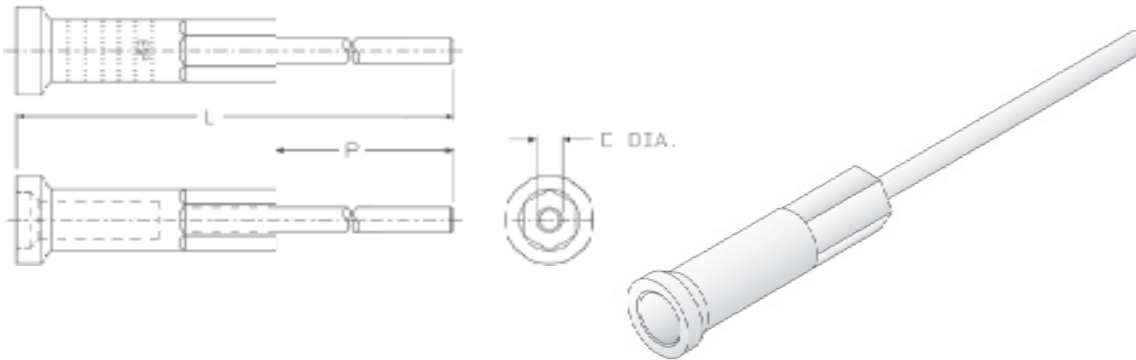
# COMPRESSION CONNECTORS

## TYPE SPT

### Shrouded Aluminum Pin Terminals

600V

- Shrouded accepts insulation of conductors.
- Tinned copper rod factory crimped into an aluminum compression sleeve. Cavities are pre-filled with electrical joint compound and capped.
- Pin terminals are widely used in clamp-type plated bronze connectors common to pole-type transformers, disconnect switches, cutouts and lightning arrestors to allow aluminum conductors to be connected. The transition from copper to aluminum is made within a sealed compression joint to assure protection from bi-metallic corrosion.



Catalog Number	Wire Range			“D” Nom. Pin Diameter	“P” Length - Inches	“L” Length - Inches	Common Crimping Die Codes
	Aluminum	ACSR	Dia. Range Min. - Max.				
SPT44	2 Sol. 3-4 Str. & 4 Comp.	4	.204 - .258	4 Sol.	2.00	5.37	EEI-81 Burndy BG, 243 Kearney 5/8 Alcoa 08AH T&B TU (52) Anderson VC5, VC6
SPT24	1 - 2 Str. & 2 Comp. Str.	2	.268 - .328		2.00	5.50	
SPT102S	1/0 Str. 1/0 Comp.	1/0	.336 - .398	2 Sol.	2.00	5.75	
SPT2010	2/0 Str. 3/0 Comp.	2/0	.388 - .448	1/0 Sol.	4.00	7.00	
SPT3010	3/0 Str. 4/0 Comp.	3/0	.442 - .502	3/8	4.00	7.25	
SPT4020	4/0 - 250 Str. 250 Comp.	4/0	.511 - .575		3.72	7.00	
SPT34940	300-350 Str. 350 Comp.		.618 - .684	4/0 Sol.	6.00	11.00	EEI- 11A Burndy 249 or 840 Kearney 840 Somerset TX or 76 Alcoa 11 AH Anderson VC6