
ROTO-LUG™ Connectors

TYPE RL

Turning Point Technology

600V



- ROTO-LUG™ connector Turning Point Technology brings the connector to the conductor by allowing the installer to quickly adjust the angle of the connector to accommodate the conductor
- Rotation feature allows for positioning 219° in all directions: front-and-back or side-to-side
- Reduces installation time and amount of conductor required
- Enhances both safety and performance as the conductor will not need to be bend beyond recommended radius code set by UL, reducing heat and stress issues associated with improper installations
- Chamfered wire entry feature provides quick and easy wire installation
- Easy access to installation set screws (5/8" hex head) reduces installation time and the need for special tools
- Suitable for use with either copper or aluminum conductors at 90°C; range-taking ROTO-LUG™ connectors accept 3/0 to 600 kcmil copper and 3/0 to 750 kcmil aluminum
- ROTO-LUG™ connectors are available in both single and dual lug configurations
- ROTO-LUG™ connectors are cULus Listed for wire terminations
- Mounting adapters have 1/2" stud holes and NEMA spacing (1-3/4" center-to-center) that fit standard bus bar configurations



The stress-free torque connection means only one person is needed for bending during install.

50%

LABOR SAVINGS

Connector Manufacturing Company (CMC®) is pleased to introduce the new ROTO-LUG™ connector product line. ROTO-LUG™ connectors have the built-in Turning Point rotational feature that allows up to 219° positioning in all directions: front-and-back and side-to-side. The built-in rotation feature significantly reduces installation time and the amount of conductor needed as it allows the installer to bring the connector to the conductor by quickly adjusting the angle of the connector to accommodate the conductor. ROTO-LUG™ connectors are range taking and accommodate both copper and aluminum conductors. ROTO-LUG™ connectors are cULus Listed for wire terminations.

Over the years, wire has become larger in size while at the same time switchgear boxes and breaker boxes have become smaller and more compact. Electrical contractors must bend large diameter wire in order to install it in the fixed lugs available today. Often, bending is accomplished by heating and machine-bending the wire beyond limits allowed by codes and safety for lack of an alternative. CMC's ROTO-LUG™ connectors provide a superior connection in 50% less time as standard termination methods where the need to bend the wire is present.

ROTO-LUG™ Connectors

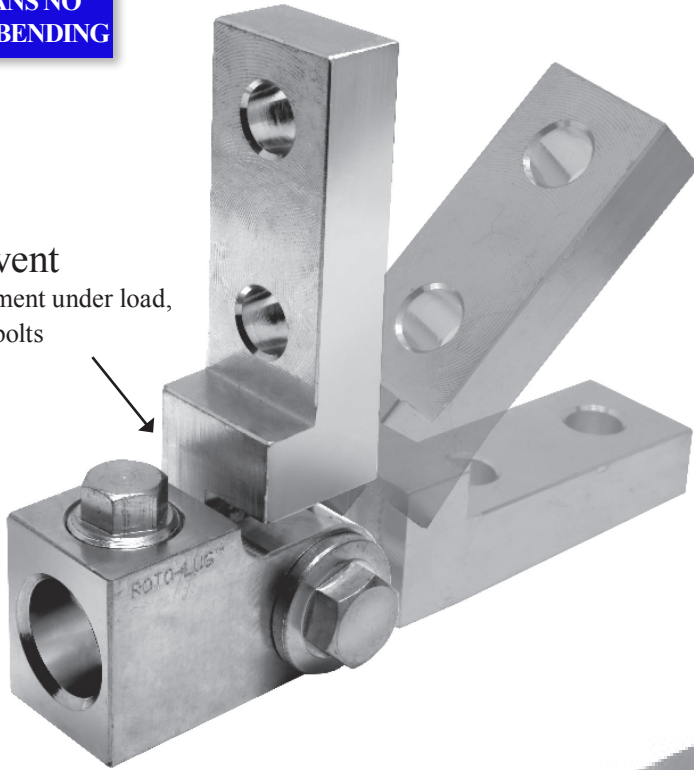
219°
ROTATION
MEANS NO
WIRE BENDING

All Angles Covered

600V

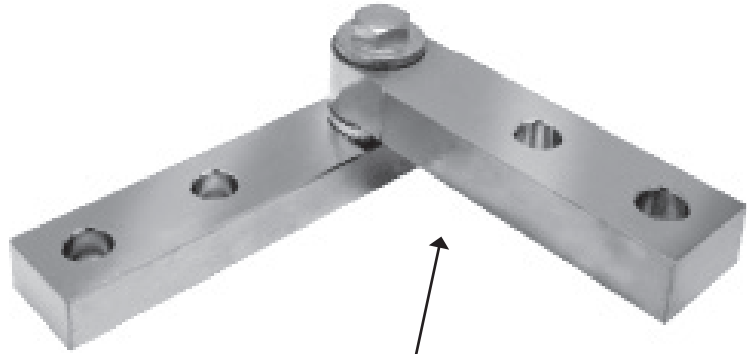
Turn-Prevent

To stop movement under load, base has two bolts



Rotate & Lock

Gear'd to prevent movement under load during contraction period with a single locking bolt. Torque to 620 inch-lbs



Wire Management

Chamfered wire entry provides ease of installation

Both Single & Multi-Port

The bases are designed to handle both single and dual lugs for safety



Mounting Adapter

Hole location:
Mounting hole diameter is .562" for 1/2" bolts and Nema spaced 1 3/4" hole-to-hole for standard bus bar mounting.

ROTO-LUG™ Connectors

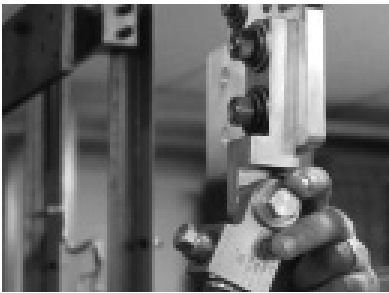
Wire has become larger in size while the switchgear has become smaller and more compact.

Over-bending and over heating of wire combined with the brute force needed by two people during installation are major concerns needing a solution.

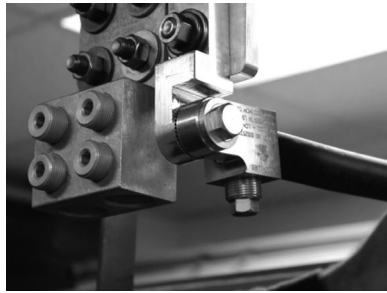
The ROTO-LUG™ connector is the revolutionary answer.

The ROTO-LUG™ connector allows for wire to be landed in a straight line into the switchgear box or breakers then rotated up to 219° for a stress-free torque connection to the bus from virtually any point. The wire integrity is never compromised.

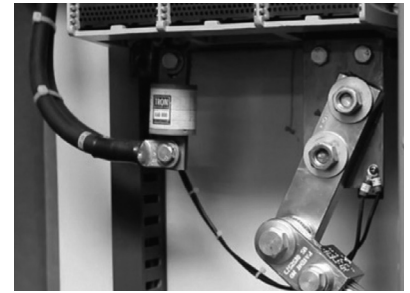
600V



Without the need for an Allen® wrench proper torque can be applied.



ROTO-LUG™ connectors manage large diameter cable without bending.



ROTO-LUG™ connectors allow for the wire to be landed in a straight line in a switchgear box or breaker.



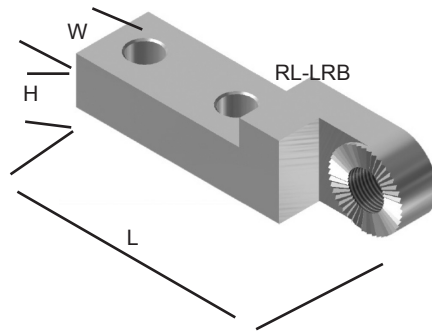
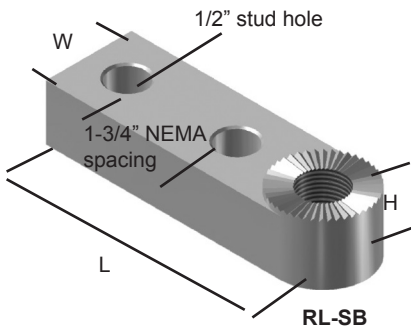
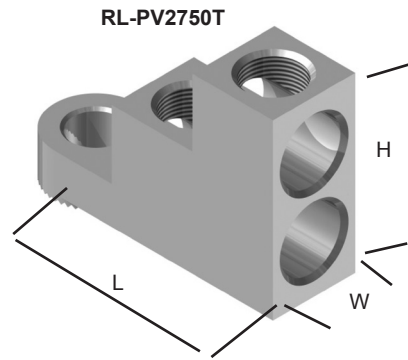
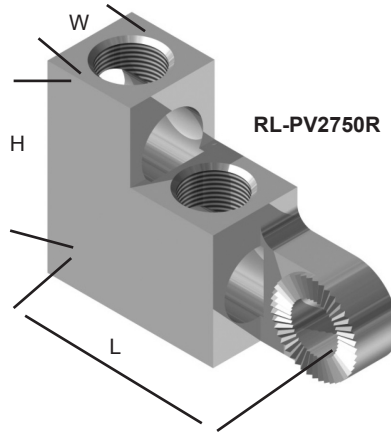
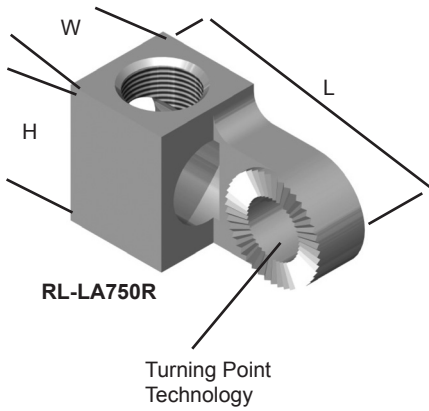
Product Introduction Video

<http://www.cmclugs.com/>

<https://burndy.wistia.com/medias/3m2fa9yyuu>

ALLEN® is a registered trademark of APEX Brands, Inc. and is not affiliated with Hubbell Incorporated or its subsidiaries.

ROTO-LUG™ Connectors



Catalog Key
 RL = ROTO-LUG™ Connector
 SB = Short Base
 EB = Extended Base
 LRB = Left/Right Handed Base
 ADE = Extended Adapter
 ADS = Short Adapter
 LA = 1 Hole Lug Assembly
 L = Left Handed Lug
 R = Right Handed Lug
 PV2 = 2 Hole Stacked Lug Assembly

Rotate Your Approach

Pair any lug with any base or adapter for the optimal Roto-Lug configuration to meet your application requirements.

600V

ROTO-LUG™ Connector Bases

ROTO-LUG™ Connector Adapters & Lugs	RL-SB	RL-EB	RL-LRB	L	W	H	AMP	Wire Range	Stud Size	Torque (in-lb)			
	 RL-ADS RL-ADE	RL-ADS-SB RL-ADE-SB	RL-ADS-EB RL-ADE-EB	RL-ADS-LRB RL-ADE-LRB	4.44 5.81	1.50	1.00	800 800	3/0 - 600 Copper 3/0 - 750 Aluminum	1/2"	620		
 RL-LA750T RL-LA750L RL-LA750R	RL-LA750T-SB RL-LA750L-SB RL-LA750R-SB	RL-LA750T-EB RL-LA750L-EB RL-LA750R-EB	RL-LA750T-LRB RL-LA750L-LRB RL-LA750R-LRB	2.96 3.00 3.00	1.37	1.75	400 400 400						
 RL-PV2750T RL-PV2750L RL-PV2750R	RL-PV2750T-SB RL-PV2750L-SB RL-PV2750R-SB	RL-PV2750T-EB RL-PV2750L-EB RL-PV2750R-EB	RL-PV2750T-LRB RL-PV2750L-LRB RL-PV2750R-LRB	4.34 4.34 4.34	1.37	3.00	800 800 800						
 RL-B	RL-SB-B	RL-EB-B	RL-LRB-B	-	-	-	-	-				-	-

CMC recommends the use of CMC's type SBAHD bolt assembly kits for secure, worry-free installations