

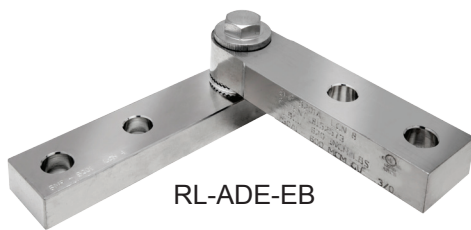
## Features & Benefits



- ROTO-LUG™ connector Turning Point Technology brings the connector to the conductor by allowing the installer to quickly adjust the angle of the connector to accommodate the conductor
- Rotation feature allows for positioning 219° in all directions: front-and-back or side-to-side
- Reduces installation time and amount of conductor required
- Enhances both safety and performance as the conductor will not need to be bend beyond recommended radius code set by UL, reducing heat and stress issues associated with improper installations
- Chamfered wire entry feature provides quick and easy wire installation
- Easy access to installation set screws (5/8" hex head) reduces installation time and the need for special tools
- Suitable for use with either copper or aluminum conductors at 90°C; range-taking ROTO-LUG™ connectors accept 3/0 to 600 kcmil copper and 3/0 to 750 kcmil aluminum
- ROTO-LUG™ connectors are available in both single and dual lug configurations
- ROTO-LUG™ connectors are cULus Listed for wire terminations
- Mounting adapters have 1/2" stud holes and NEMA spacing (1-3/4" center-to-center) that fit standard bus bar configurations



RL-LA750L-LRB

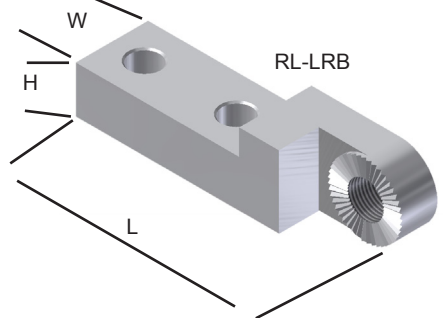
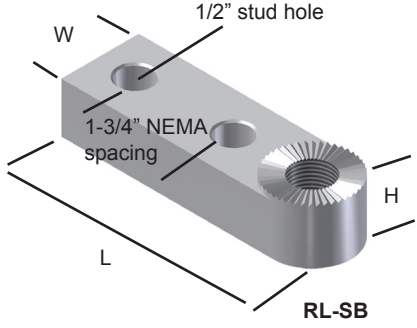
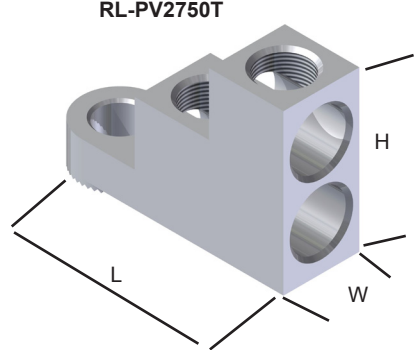
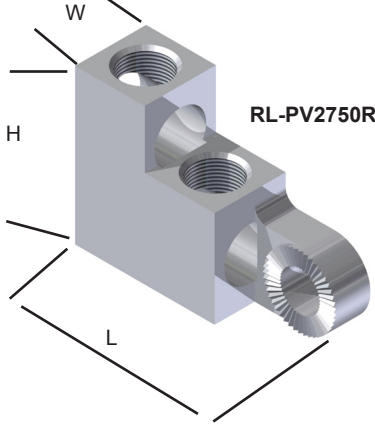
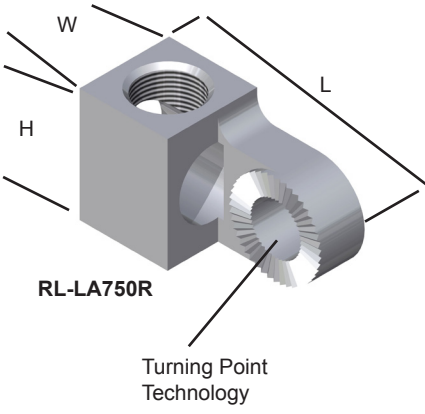


RL-ADE-EB



Promotional Video

# ROTO-LUG™ Electrical Connectors



**Catalog Key**  
 RL = ROTO-LUG™ Connector  
 SB = Short Base  
 EB = Extended Base  
 LRB = Left/Right Handed Base  
 ADE = Extended Adapter  
 ADS = Short Adapter  
 LA = 1 Hole Lug Assembly  
 L = Left Handed Lug  
 R = Right Handed Lug  
 PV2 = 2 Hole Stacked Lug Assembly

## ROTO-LUG™ Connector Bases

ROTO-LUG™ Connector Adapters & Lugs	ROTO-LUG™ Connector Bases			L	W	H	Wire Range	Stud Size	Torque (in-lb)
	RL-SB	RL-EB	RL-LRB						
	<b>RL-ADS</b>	RL-ADS-SB	RL-ADS-EB	4.44	1.50	1.00	3/0 - 600 Copper 3/0 - 750 Aluminum	1/2"	620
	<b>RL-ADE</b>	RL-ADE-SB	RL-ADE-EB	5.81	1.50	1.00			
	<b>RL-LA750T</b>	RL-LA750T-SB	RL-LA750T-EB	2.96	1.37	1.75			
		<b>RL-LA750L</b>	RL-LA750L-SB	RL-LA750L-EB	3.00	1.37			
<b>RL-LA750R</b>		RL-LA750R-SB	RL-LA750R-EB	3.00	1.37	1.75			
	<b>RL-PV2750T</b>	RL-PV2750T-SB	RL-PV2750T-EB	4.34	1.37	3.00			
		<b>RL-PV2750L</b>	RL-PV2750L-SB	RL-PV2750L-EB	4.34	1.37			
<b>RL-PV2750R</b>		RL-PV2750R-SB	RL-PV2750R-EB	4.34	1.37	3.00			

CMC® recommends the use of CMC's type SBAHD bolt assembly kits for secure, worry-free installations

Customer Service 513-860-4455 | Canada 1-800-361-6975 | Mexico 011-52-722-264-4400 | www.cmclugs.com



www.cmclugs.com | 513-860-4455

